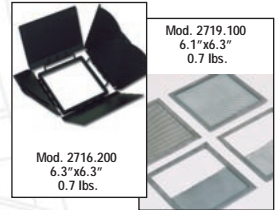




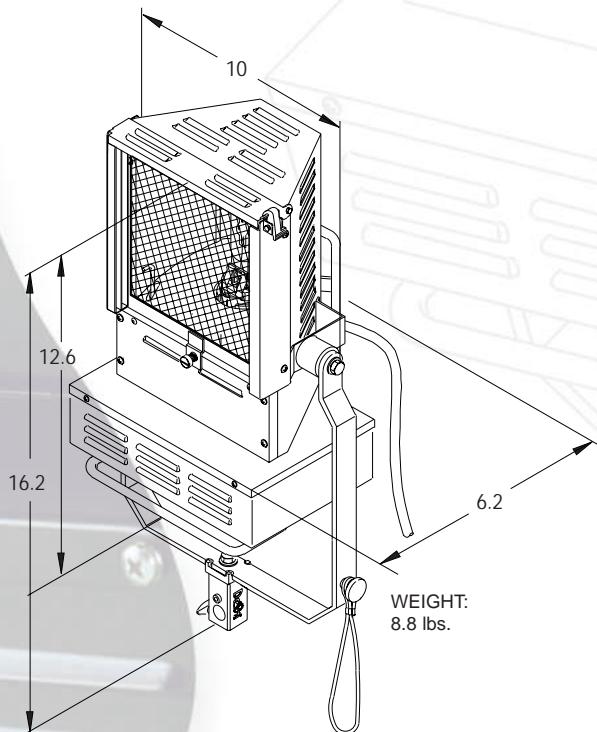
Mod. 3710



Mod. 2716.200
6.3"x6.3"
0.7 lbs.

Mod. 2719.100
6.1"x6.3"
0.7 lbs.

| PHOTOMETRIC DATA CD 15B 150 W | | | | | |
|---|-------|-------------|---------------------------|-------|-------|
| Values measured with Philips CDM-T 150/830 UV Stop Lamp | | | | | |
| FEET | | | | | |
| TYPICAL DISTANCES | 10' | 15' | 20' | 25' | |
| Candle Power | | FOOTCANDLES | | | |
| LIGHT CENTER VALUES | 3,150 | 32 | 14 | 8 | 5 |
| F.C. at any distance = CANDLE POWER : [Distance (in ft)] ² | | | | | |
| BEAM ANGLE (50% OF CENTER VALUE) | | | BEAM SIZE (W x H in feet) | | |
| WIDTH | 94° | 21.4' | 32.2' | 42.9' | 53.6' |
| HEIGHT | 86° | 18.7' | 28' | 37.3' | 46.6' |



Mod. 3710