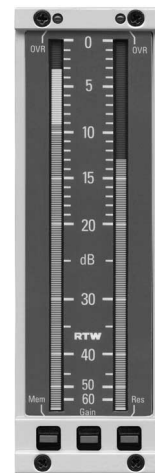


GENERAL DESCRIPTION

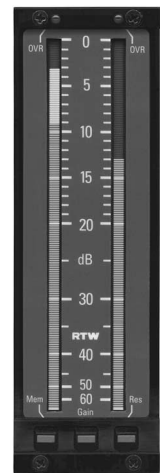
Peakmeter

The level meters 1352-3U and 1202-3U are compact plug-in units for mounting into 3U racks. Both instruments display on two-channel plasma bargraph displays signals according to the AES/EBU digital standard.

TECHNICAL DATA PEAKMETER 1352-3U 1202-3U



1202-3U



1352-3U

Digital

AES/EBU

X-former bal.

Sample

Scale 102 mm

PkHold/Spot

+40 dB/Memo

TECHNICAL SPECIFICATIONS

General

Supply voltage:	+24 V DC \pm 10 %
Current drain:	max. 190 mA
Weight:	approx. 260 g net
Dimensions:	3U/8HP depth 86 mm
Operating temperature range:	+0° to +50° celsius
Connector:	DIN 41612/C
Fastening:	M3-screws
Controls:	<ul style="list-style-type: none"> • 40 dB gain of input sensitivity • display of the stored peak value • memory reset • OVL-Overload
LED's:	
In- and output:	x-former balanced, floating according AES standard
Input impedance:	110 Ω or Hi-Z
Scale length:	102 mm
Display segments:	201 segments/channel
Colour of display:	orange
Sampling rate:	27 kHz to 100 kHz
Overload indicator:	one LED per channel
Overload detector:	settable number of samples and threshold Fullscale, Fullscale-1, Fullscale-2 -0.1, -0.2, -5, -1, -2, -3, -4, -5, -6, -7, -8, -9, -10 dB FS
Overload detection rate:	internal preset via BCD-switch
DC-filter:	OFF or 5 Hz
Threshold frequency:	DC/5 Hz
Remote input:	TTL level, 'active low'
Scale range:	-60 dB to 0 dB
Brighter scale marks:	-10, -15, -20, -30, -40, -50 dB
Headroom range:	intern selectable via BCD-switch in 1 dB-steps in the range from -20 to 5 dB
Integration time:	Sample
Fall back time:	1.5 s for 20 dB 2.5 s for 40 dB
Peak hold:	Spot
Peakhold reset time:	auto (approx. 2.5 s) or manual

Items delivered

Peakmeter 1352-3U:
(Standard version)

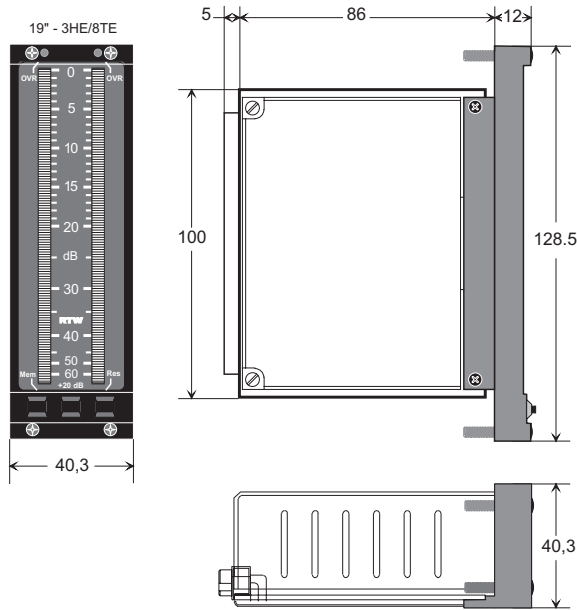
- counter plug (DIN 41612/C)
- operating manual
- scale colour: RAL 9011/7011

Order number: 1352-3U

Peakmeter 1202-3U:
(for use with 3U DistriCon system rack)

- counter plug (DIN 41612/C)
- operating manual
- scale colour: RAL 7032/7011

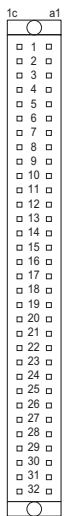
Order number: 1202-3U



Abmessungen in Millimeter; Darstellung reduziert. Tasten und Skalen variieren je nach Gerätetyp
Dimensions in mm. Size reduced. Controls and scales vary depending on type.

CONNECTION

The meter is connected up using a 64-pin connector (DIN 41612A/C).
The connector is wired up as follows:



- pin 2a: case
- pin 8a: case
- pin 11a: external function selection: memory
- pin 12a: external function selection: gain
- pin 13a: external function selection: memory reset
- pin 15a: device address A3 (used in DistriCon system rack only)
- pin 16a: device address A2 (used in DistriCon system rack only)
- pin 17a: device address A1 (used in DistriCon system rack only)
- pin 18a: device address A0 (used in DistriCon system rack only)
- pin 19a: common potential for external switches
- pin 22a: case
- pin 23a: AES/EBU input (+ or hot)
- pin 24a: AES/EBU input (- or cold)
- pin 25a: 0 V
- pin 26a: AES/EBU output (+ or hot)
- pin 27a: AES/EBU output (- or cold)
- pin 30a: 0 V
- pin 31a: case
- pin 32a: +24 V

- pin 24c: remote Rx
- pin 25c: remote Tx

COLOURS

- front: RAL 9011 Graphite black (1352) RAL 7032 Pebble grey (1202)
- scale: RAL 7011 Iron grey (1352) RAL 7011 Iron grey (1202)

ACCESSORIES



Rack frame 19"-3 unit height mounting panel
Orderno. 164783



Rack frame 19"-3 unit height mounting panel
Orderno. 164758



Rack frame 19"-3 unit height mounting panel
Orderno. 12970



System rack 19"-3 unit height with power supply
Orderno. 1200-3UX

Subject to technical changes without prior notice 04/2004