



GDR26

**3Gb/s, HD and SD dual input distribution amplifier with
3 reclocked outputs per channel (ASI/DVB compatible)**

A Synapse® product

Synapse

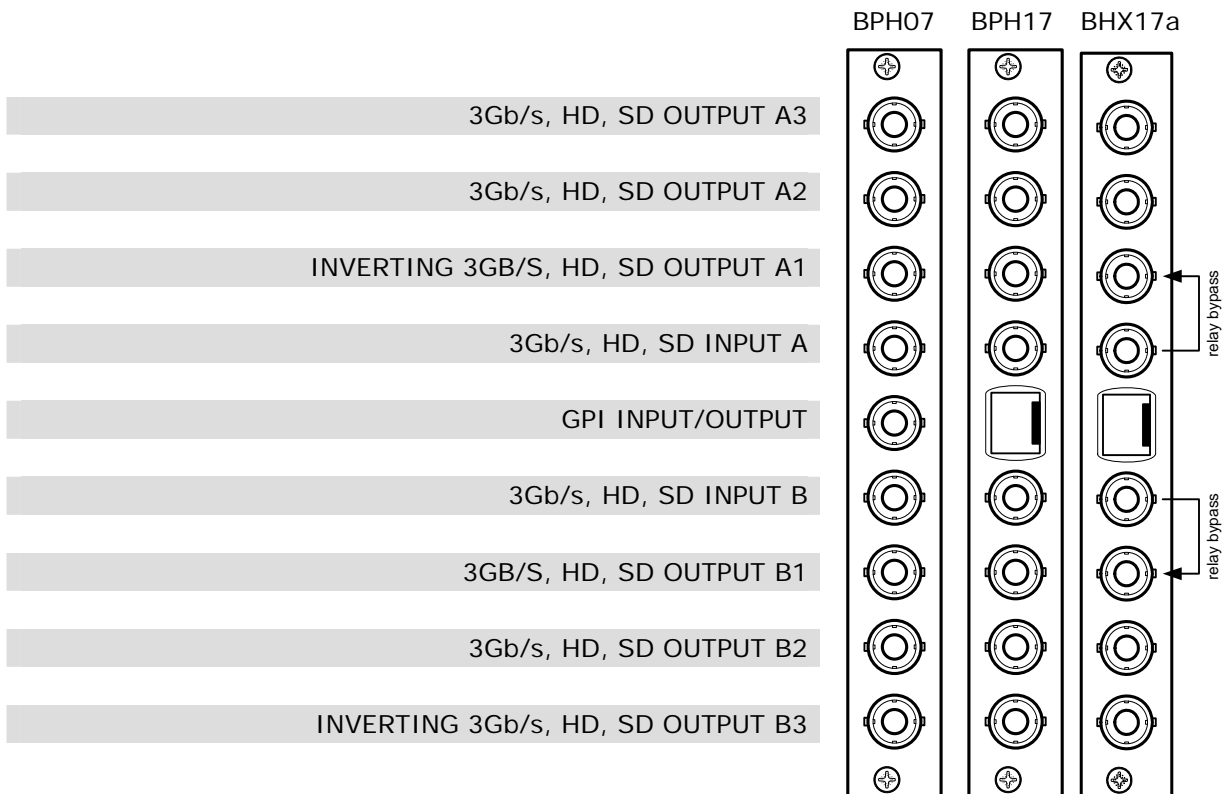
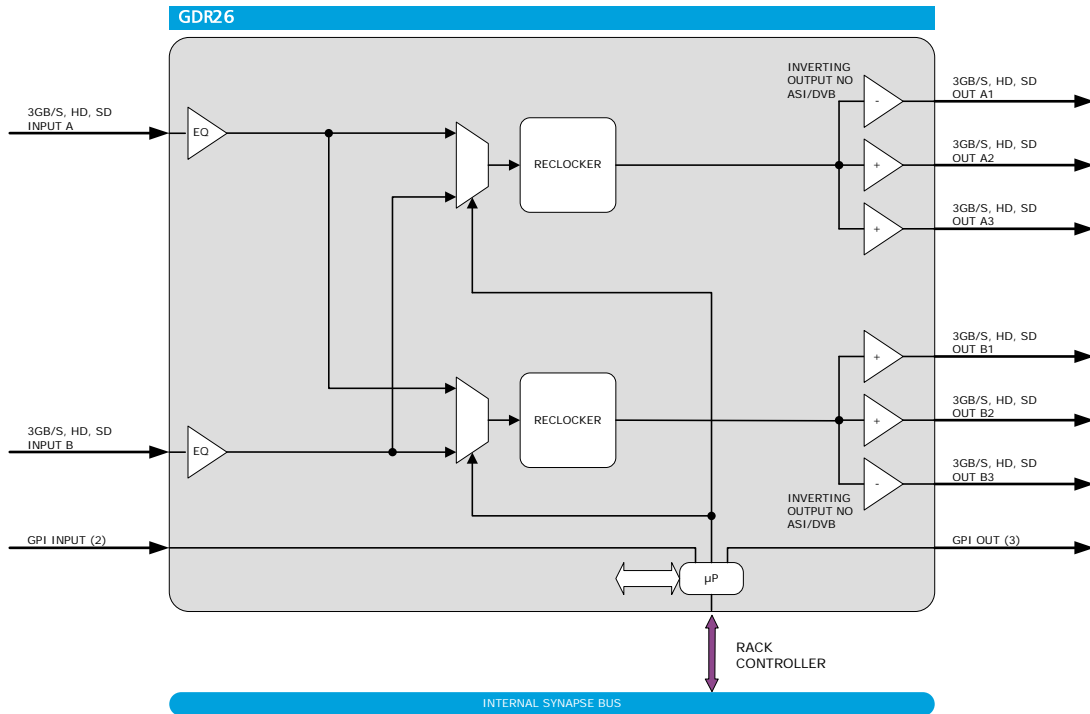


COPYRIGHT ©2008 AXON DIGITAL DESIGN BV

ALL RIGHTS RESERVED

NO PART OF THIS DOCUMENT MAY BE REPRODUCED IN ANY FORM
WITHOUT THE PERMISSION OF AXON DIGITAL DESIGN BV.

Block Schematic & I/O panel



Features

The GDR26 is a dual channel 3Gb/s, HD, SD SDI reclocking distribution amplifier

- Dual channel with 3 outputs each
- Single channel with 6 outputs
- GPI controlled input swapping and status monitoring
- GPI-1 = select input 1
- GPI-2 = select input 2
- GPO-1 = input 1 OK
- GPO-2 = input 2 OK
- GPO-3 = status of selected input
- 2x2 or 2x1 function
- Compatible with:
 - 270 Mbit/s (SMPTE 259M)
 - 1485 Mbit/s (SMPTE 292M)
 - 2970 Mbit/s (SMPTE 424M) =3Gb/s
- Non inverting outputs (ASI/DVB compatible)
- Bypass function of the reclocker for non-standard frequencies

Applications

The GDR26 can be used as a dual channel generic extreme wideband 3Gb/s DA

Ordering information

Module:

- **GDR26:** 3Gb/s, HD, SD-SDI dual reclocking distribution 1 to 3 amplifiers

Standard I/O:

- **BPH07_GDR26:** I/O-panel for GDR26
- **BPH17_GDR26:** I/O-panel for GDR26 with RJ45 GPI I/O
- **BHX17a_GDR26:** I/O-panel with relay bypass for GDR26 with RJ45 GPI I/O

Specifications

Video Input

Standard	3Gb/s ,HD and SD SDI: SMPTE424, SMPTE259M, SMPTE 292M
Number of Inputs	2
Connector	BNC
Equalization	Typical maximum equalized length of Belden 1694A cable: 70m at 2.97Gb/s, 140m at 1.485Gb/s, and 350m at 270Mb/s
Return Loss	> 15dB up to 3GHz

Serial Video Output

Number of Outputs	6 (2 x 3)
Connector	BNC
Signal Level	800mV nominal
DC Offset	0V \pm 0.5V
Rise/Fall Time	135ps nominal
Overshoot	< 10% of amplitude
Return Loss	> 15dB up to 1.5GHz (typ.) > 10dB up to 3GHz (typ.)
Wideband Jitter	< 0.2UI

Miscellaneous

Weight	Approx. 250g
Operating Temperature	0 °C to +50 °C
Dimensions	137 x 296 x 20 mm (HxWxD)

Electrical

Voltage	+24V to +30V
Power	<6 Watts