



HLI 20 – SLI 20

HD/SD preset based dual logo inserter

A Synapse® product

Synapse

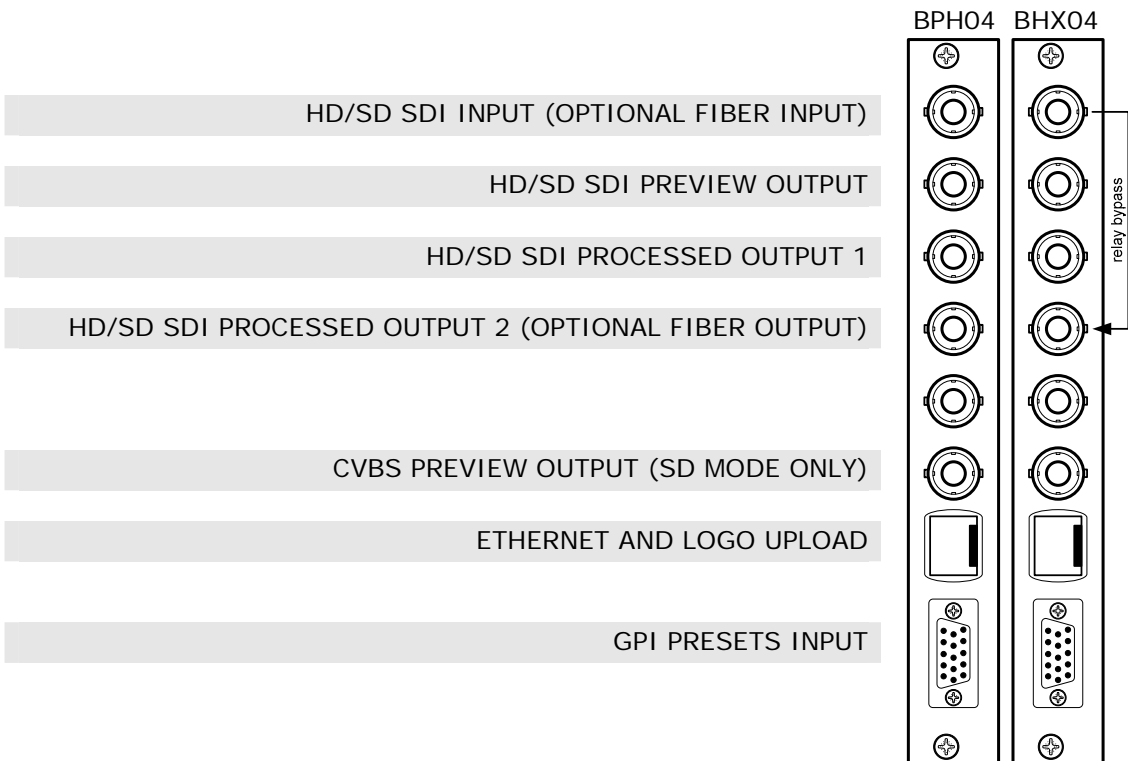
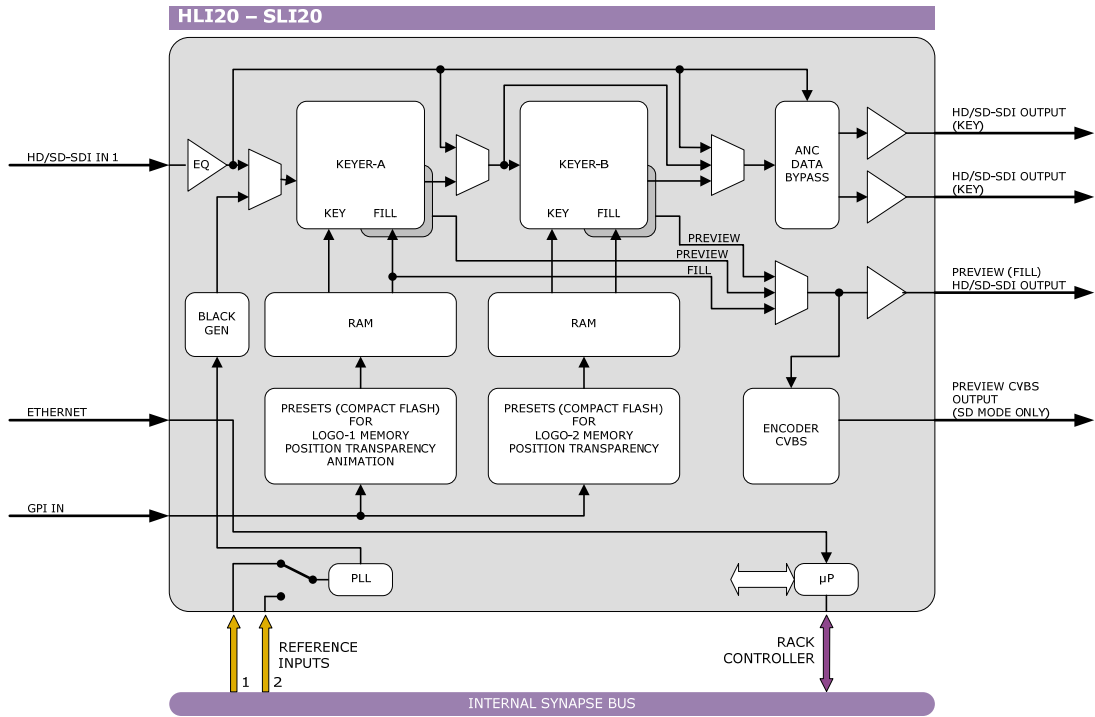


COPYRIGHT © 2008 AXON DIGITAL DESIGN BV

ALL RIGHTS RESERVED

NO PART OF THIS DOCUMENT MAY BE REPRODUCED IN ANY FORM
WITHOUT THE PERMISSION OF AXON DIGITAL DESIGN BV.

Block schematic & I/O panel



Features

The HLI20 and SLI20 are logo inserters, with a preset based logo recall function through a flexible user interface and a local storage, multiple logo's including animated ones can be selected through the synapse menu or GPI. The HLI20 is capable of inserting logo's into both HD and SD signals and the SLI20 is SD only.

The HLI20/SLI20 will be used for channel branding with the option to alter the main channel logo on the fly, preset based and simultaneously add a "theme logo" that is triggered as on shot with predefined fade in and fade out times

- HD-SDI and SD-SDI compatible (SLI20 SD only)
- Formats HLI20:
 - 1080i/50/59.94
 - 720p/50/59.84
 - 625/50
 - 525/59.94
- Formats SLI20:
 - 625/50
 - 525/59.94
- Two individual logo inserters
- Logo A:
 - 16 presets for full screen 1920x1080, or 400 frames (384x216) of animation (16 seconds)
 - H+V position
 - Transparency
 - Fade in time
 - Fade out time
 - Macro: fade in, hold, fade out and animation one shot or loop
- Logo B:
 - 64 presets for 384 x 216 logo's (larger logos are possible, but can use 2 preset storage places)
 - H+V position
 - Transparency
 - Fade in time
 - Fade out time
 - Macro: fade in, hold, fade out and animation one shot or loop
- BCD control of GPI with 5 GPIs + take for bank 1 (16) and 6 GPIs + take for bank 2 (32)
- Selectable priority GPI control for 14 contacts
- 2-level and 3-level sync compatible in generator mode
- Safety relay bypass when using a BHX04
- Full control and status monitoring through the front panel of the SFR04/SFR08/SFR18 frame and the Ethernet port (ACP)
- Logo uploading through dedicated Ethernet port on the BPH04/BHX04 connector panel
- Optional 1 fiber input (replacing 1 SDI input) or 1 fiber output (replacing 1 SDI output) on I/O panel

Applications

- Channel branding
- Full screen static announcements
- Small animations and dynamic theme logo's

Ordering information

Module:

- **HLI 20:** HD/SD preset based dual Logo Inserter
- **SLI 20:** SD preset based dual Logo Inserter

Standard I/O:

- **BPH04_HLI 20:** I/O-panel for HLI20
- **BHX04_HLI 20:** I/O-panel with relay bypass for HLI20
- **BPH04_SLI 20:** I/O-panel for SLI20
- **BHX04_SLI 20:** I/O-panel with relay bypass for SLI20

Fiber outputs:

- **BPH04T_FC/PC_HLI 20:** I/O-panel for HLI20 with fiber transmitter on FC/PC
- **BPH04T_SC_HLI 20:** I/O-panel for HLI20 with fiber transmitter on SC
- **BPH04T_FC/PC_SLI 20:** I/O-panel for SLI20 with fiber transmitter on FC/PC
- **BPH04T_SC_SLI 20:** I/O-panel for SLI20 with fiber transmitter on SC

Fiber inputs:

- **BPH04R_FC/PC_HLI 20:** I/O-panel for HLI20 with fiber receiver on FC/PC
- **BPH04R_SC_HLI 20:** I/O-panel for HLI20 with fiber receiver on SC
- **BPH04R_FC/PC_SLI 20:** I/O-panel for SLI20 with fiber receiver on FC/PC
- **BPH04R_SC_SLI 20:** I/O-panel for SLI20 with fiber receiver on SC

Specifications

HD/SD Serial Video Input

Standard	625/50 or 525/59.94 SMPTE 259M-C (270Mb/s) with SMPTE 272M embedded audio SMPTE 292M (1.5Gb/s), SMPTE 274M, SMPTE 296M, SMPTE 349M 1080i/59.94, 1080i/50, 720p/59.94, 720p/50
Equalization	Automatic to 100m @ 1.5Gb/s with Belden 1694A or equivalent cable.
Return Loss	> 15dB up to 1.5GHz

HD Serial Video Output

Standard	625/50 or 525/59.94 SMPTE 259M-C (270Mb/s) with SMPTE 272M embedded audio SMPTE 292M (1.5Gb/s), SMPTE 274M, SMPTE 296M, SMPTE 349M 1080i/59.94, 1080i/50, 720p/59.94, 720p/50
Signal Level	800mV nominal
DC Offset	0V ±0.5V
Rise and Fall Time	200ps nominal for HD, 750ps nominal for SD
Overshoot	< 10% of amplitude
Return Loss	> 15dB up to 1.0Gb/s, > 10dB up to 1.5Gb/s
Wideband Jitter	< 0.2UI

Ethernet

Standard	10Base-T, 100Base-Tx IEEE 802.3
Connector	8P8C

Reference Video Input

Standard	PAL (ITU624-4), NTSC (SMPTE 170M)
Number of Inputs	2 on SFR18, 2 on SFR08, 1 on SFR04
Connector	BNC
Signal Level	1V nominal
Impedance	High impedance, with loop for termination
Return Loss	> 25dB to 10MHz

Miscellaneous

Weight	Approx. 250g
Operating Temperature	0 °C to +50 °C
Dimensions	137 x 296 x 20 mm (HxWxD)

Electrical

Voltage	+24V to +30V
Power	<10 Watts