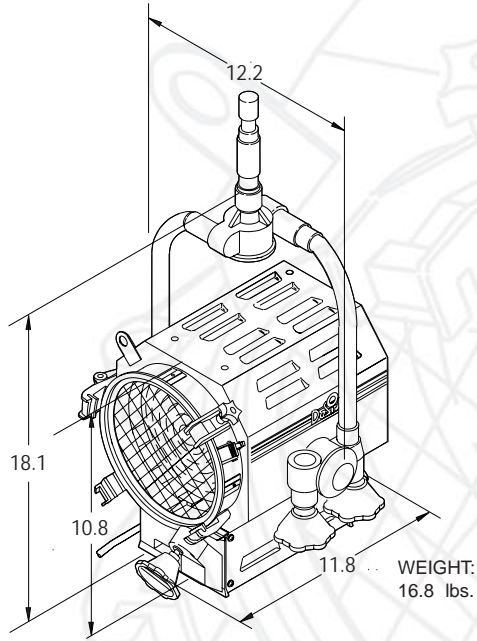


# LEONARDO 1kW



Mod. 311

## PHOTOMETRIC DATA LEONARDO 1000 W

Values measured with CP 71 Lamp - 220 V, 150 mm. Dia. Fresnel Lens

FEET				
TYPICAL DISTANCES	10'	20'	30'	40'
<b>LIGHT CENTER VALUES</b>	Candle Power		FOOTCANDLES	
SPOT	128,574	1,286	321	143
FLOOD	11,952	120	30	13
F.C. at any distance = CANDLE POWER : [Distance (in ft)] <sup>2</sup>				
<b>BEAM ANGLE (50% OF CENTER VALUE)</b>	<b>BEAM DIAMETER in feet</b>			
SPOT	7.5°	1.3'	2.6'	3.9'
FLOOD	54.4°	10.3'	20.6'	30.8'

