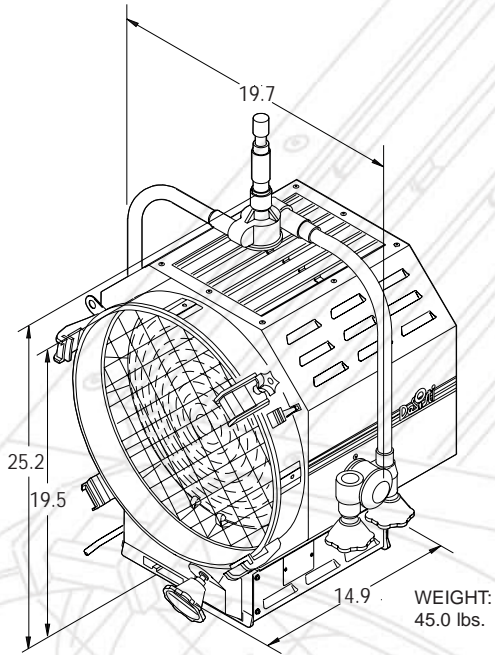


LEONARDO 5kW



PHOTOMETRIC DATA LEONARDO 5000 W				
Values measured with CP 85 Lamp - 220 V, 300 mm. Dia. Fresnel Lens				
FEET				
TYPICAL DISTANCES	30'	40'	50'	60'
LIGHT CENTER VALUES	Candle Power		FOOTCANDLES	
SPOT	733,000	814	458	293
FLOOD	100,000	111	63	40
F.C. at any distance = CANDLE POWER : [Distance (in ft)] ²				
BEAM ANGLE (50% OF CENTER VALUE)		BEAM DIAMETER in feet		
SPOT	5.6°	2.9'	3.9'	4.9'
FLOOD	56.2°	32'	42.7'	53.4'

