

# Omneon MediaDirector

The Omneon MediaDirector component of the Omneon Spectrum™ media server system actively directs and manages the flow of data to and from all other components within a system such as Omneon MediaStore storage arrays, Omneon MediaPorts, Omneon MultiPorts and external networks.

## POWERFUL

The Omneon MediaDirector is the engine that drives the Omneon Spectrum server system managing the flow of data within the system in addition to managing bandwidth utilization. By coordinating media ingest, storage, and playout, it delivers functionality that bridges both IT and broadcast worlds.

MediaDirector components support 16 or 32 real-time channels. Multiple units can be linked to create even larger systems. Multiple high-speed serial buses guarantee real-time data flow to I/O components. A Gigabit Ethernet connection provides high-bandwidth data communication via SMB, FTP, and AFP (Apple® File Protocol).

## RELIABLE

MediaDirectors manage the file system, provide software RAID capabilities for data access and protect all data on the system's disk storage. MediaDirectors access storage arrays through multiple Fibre Channel loops delivering the resiliency and performance required by on-air operations. Built-in power and system bus redundancy ensure maximum reliability.

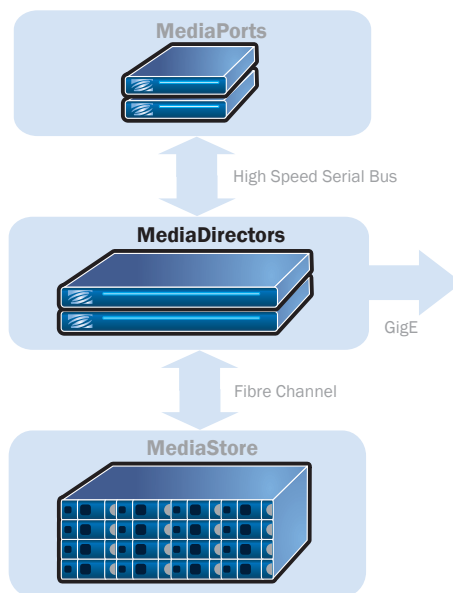
## FLEXIBLE

Featuring Omneon's Smart Scalability™, additional MediaDirectors can be added to a system or reconfigured at any time without any disruptive upgrade process. Multiple MediaDirectors may be linked and share the same file system to provide added bandwidth, channel capacity, storage, and total redundancy. Two models are available to enable cost-effective integration of the Omneon Spectrum server system into broadcast facilities of all types and sizes.



## > BENEFITS

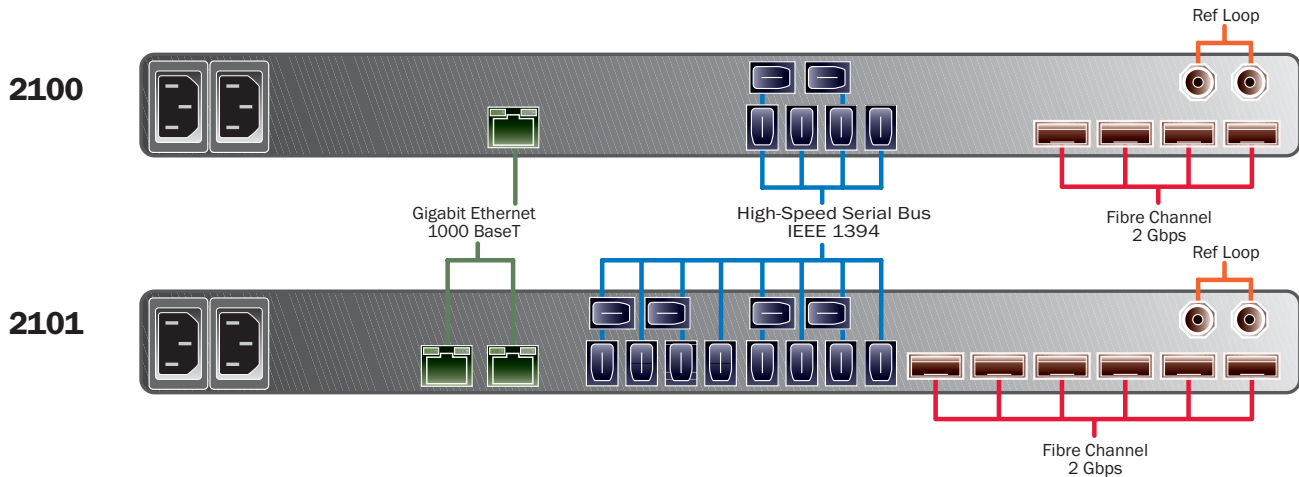
- Supports up to 32 real-time channels in a single MediaDirector. Even larger systems can be created by networking multiple units
- Simultaneous management of multiple audio and video formats adds versatility in playout and production environments
- Advanced bandwidth management guarantees uninterrupted throughput to all real-time media I/O devices
- Easy reconfiguration enables support for changing channel count and format requirements
- Quick and simple addition of new components can be accomplished while the system is online



> Find More Online

<http://www.omneon.com/products>

## Omneon MediaDirector



Model	Features
<b>MediaDirector 2100</b>	<p><b>Realtime Channels:</b> 16 maximum simultaneous</p> <p><b>Realtime Bandwidth:</b> 4 x IEEE 1394 (400Mbps) busses</p> <p><b>Ethernet:</b> Gigabit Ethernet Port</p> <p><b>Storage Connectivity:</b> Dual 2Gbps FC-AL interfaces</p>
<b>MediaDirector 2101</b>	<p><b>Realtime Channels:</b> 32 maximum simultaneous</p> <p><b>Realtime Bandwidth:</b> 8 x IEEE 1394 (400Mbps) busses</p> <p><b>Ethernet:</b> Dual Gigabit Ethernet Ports</p> <p><b>Storage Connectivity:</b> Three 2Gbps FC-AL interfaces</p>

The key to the Omneon Spectrum is its unique modular design utilizing industry standard connectivity to create a highly configurable and reliable system. Multiple MediaDirector system units can be linked in a single installation to provide redundancy, increased channel count, increased storage capacity and increased network bandwidth. New components can be added quickly and easily in many cases without taking the system off line.

To be kept up to date with all the latest Omneon developments, sign up for our newsletter at <http://www.omneon.com/update-me>.

For an Online Demo, Visit Demos on Demand™

<http://www.omneon.com/Demos-On-Demand>



[www.omneon.com](http://www.omneon.com)

**US Headquarters:**

965 Stewart Drive  
Sunnyvale, CA 94085  
ph +1 866.861.5690  
ph +1 408.585.5000  
fx +1 408.585.5099

**Europe:**

5 Lindenwood  
Chineham, Basingstoke  
RG24 8QY United Kingdom  
ph +44 1256.347.400  
fx +44 1256.347.410

**Omneon Video Networks, K.K.:**

Ginza San-Chome Bldg. 8F  
3-14-1 Ginza, Chuo-ku  
Tokyo 104-0061 Japan  
ph +81 03.5565.6735  
fx +81 03.5565.6736

**Asia/Pacific:**

20 Loyang Crescent  
Singapore 508984  
ph +65 6548.0500  
fx +65 6548.0504

Omneon, Omneon Video Networks, and the Omneon logo are registered trademarks of Omneon Video Networks, Inc. All other trademarks are the property of the respective companies. Copyright ©2006 Omneon Video Networks, Inc. All rights reserved. Printed in USA | June 2006. The information contained in this document is subject to change without notice or obligation. DS\_MediaDirector\_060706