



# MONET 150 mm. 6" FRESNEL

## Multipurpose Innovative FRESNEL SPOTLIGHT RANGE

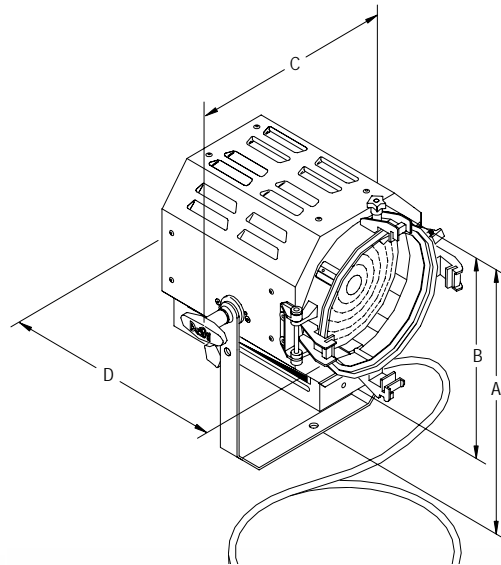
### Quartz Halogen Fresnel Spotlight

**PHYSICAL** Octagonal-shaped lightweight stainless steel construction  
 Double wall & internal baffles for efficient ventilation  
 Coated with a high temperature heat resistant powder coat black epoxy paint finish  
 Supplied with stainless steel wireguard  
 Hinged lens door with wire guard for easy re-lamping including accessory clips which can be positioned to suit various applications  
 Top locking safety bracket for barndoor & colorframe  
 Capable of being disassemble with a screwdriver for easy replacement of parts & maintenance  
 Flat steel yoke with M12 hole for C-clamp  
 Clutch activated T-handle for secure, single hand operation  
 UL Listed

**ELECTRICAL** 115-240V, 50/60Hz  
 16/3 SO 90° type cable  
 Six foot (6') standard lead

**LAMP** 1000w Maximum  
 Capable of interchanging a 500w, 750w or 1000w lamp  
 P28s medium pre-focus base for long life tungsten halogen lamps  
 Medium bi-pin base for HPL lamps  
 Socket assembly interchangeable to house all listed lamp types  
 (see table for suitable lamps)

**OPTICAL/ FOCUS MECHANISM** 6" (150mm) shock resistant borosilicate glass fresnel lens  
 Special bi-metallic clad aluminum reflector for high degree of reflectivity and thermal resistance for long life  
 Focusable from side, includes spot to flood indicator  
 Slide focus mechanism with locking knob which guides Teflon bushings along a brass guide rail that is chrome plated to ensure smooth operation  
 Teflon bushings provide a wiping action which cleans the chrome plated brass guide rail during focusing



- A 376 mm.
- B 254 mm.
- C 263 mm.
- D 276 mm.

#### PHOTOMETRIC DATA MONET 6" WITH HPL 750 W LAMP

Values measured with: HPL 750 W Lamp - 230 V, 150 mm. ΦFresnel Lens (MEASURED COLOR TEMPERATURE 2900°K)

	FEET				METERS				
	10'	20'	30'	40'	3 mt	6 mt	9 mt	12 mt	
<b>TYPICAL DISTANCES</b>									
<b>LIGHT CENTER VALUES</b>	<b>FOOT CANDLES</b>				<b>LUX</b>				
SPOT	66	166	73	41	7,335	1,834	815	458	
FLOOD	7.589	19	8	5	841	210	93	53	
	F.C. AT ANY DISTANCE = Candle Power : [Distance(in ft)] <sup>2</sup>				LUX AT ANY DISTANCE = Candle Power : [Distance(in m)] <sup>2</sup>				
<b>BEAM ANGLE (50% of center value)</b>	<b>BEAM DIAMETER in feet</b>				<b>BEAM DIAMETER in meters</b>				
SPOT	8.0°	1.4	2.8	4.2	5.6	0.4 mt	0.8 mt	1.3 mt	1.7 mt
FLOOD	56.0°	10.6	21.3	31.9	42.5	3.2 mt	6.4 mt	9.6 mt	12.8 mt
<b>FIELD ANGLE (10% of center value)</b>	<b>BEAM DIAMETER in feet</b>				<b>BEAM DIAMETER in meters</b>				
SPOT	16.0°	2.8	5.6	8.4	11.2	0.8 mt	1.7 mt	2.5 mt	3.4 mt
FLOOD	64.0°	12.8	25.6	37.9	50.0	3.7 mt	7.5 mt	11.2 mt	15.0 mt

#### PHOTOMETRIC DATA MONET 6" G22 WITH 1.000 W LAMP

Values measured with: CP40 - 6995Z Lamp: 1KW - G22 - 63,5 mm. LCL - 230 V - 3200°K  
 150 mm. ΦFresnel Lens

	FEET				METERS				
	10'	20'	30'	40'	3 mt	6 mt	9 mt	12 mt	
<b>TYPICAL DISTANCES</b>									
<b>LIGHT CENTER VALUES</b>	<b>FOOT CANDLES</b>				<b>LUX</b>				
SPOT	128,574	1,285	321	143	80	14,288	3,572	1,587	893
FLOOD	11,962	120	30	13	7	1,328	332	148	83
	F.C. AT ANY DISTANCE = Candle Power : [Distance(in ft)] <sup>2</sup>				LUX AT ANY DISTANCE = Candle Power : [Distance(in m)] <sup>2</sup>				
<b>BEAM ANGLE (50% of center value)</b>	<b>BEAM DIAMETER in feet</b>				<b>BEAM DIAMETER in meters</b>				
SPOT	7.6°	1.3	2.6	3.9	5.2	0.4 mt	0.8 mt	1.2 mt	1.6 mt
FLOOD	54.4°	10.3	20.6	30.9	41.1	3.1 mt	6.2 mt	9.3 mt	12.3 mt
<b>FIELD ANGLE (10% of center value)</b>	<b>BEAM DIAMETER in feet</b>				<b>BEAM DIAMETER in meters</b>				
SPOT	15.2°	2.6	5.2	7.7	11.6	0.9 mt	1.7 mt	2.5 mt	3.5 mt
FLOOD	62.0°	12.0	24.0	36.1	48.1	3.6 mt	7.2 mt	10.8 mt	14.4 mt



# MONET 150 mm. 6" FRESNEL



**SLIDING FOCUSING KNOB  
& REAR HANDLE**

## VERSIONS – MODEL NUMBERS & USABLE LAMPS

<b>MONET G 22 (lamp LCL 63,5 mm.)</b>		<b>MONET GX9,5 (lamp LCL 55 mm.)</b>		<b>MONET HPL (lamp LCL 60,3 mm.)</b>	
210.120	<b>MONET 1KW THEATRE M.O., G 22 (lamp LCL 63,5 mm.)</b> Fresnel Spotlight including: - Lens door with diagonally mounted ears, - 150 mm. Fresnel lens - 1 m. power cable without switch - <b>G 22 lamp holder</b> lever lock type (for 63,5 mm. LCL Tungsten Ha - M.O stirrup with $\Phi$ 10 mm. hole - sliding focus mechanism with fixing knob - without accessories.	210.140	<b>MONET 1KW THEATRE M.O., GX9,5 (lamp LCL 55 mm.)</b> Fresnel Spotlight including: - Lens door with diagonally mounted ears, - 150 mm. Fresnel lens - 1 m. power cable without switch, - <b>Gx9,5 lamp holder</b> (for 55 mm. LCL Tungsten Halogen Lamps) - M.O stirrup with $\Phi$ 10 mm. hole - sliding focus mechanism with fixing knob - without accessories.	210.160	<b>MONET 750 W THEATRE M.O., HPL (lamp LCL 60,3 mm.)</b> Fresnel Spotlight including: - Lens door with diagonally mounted ears, - 150 mm. Fresnel lens - 1 m. power cable without switch, - <b>HPL lamp holder</b> (for 60,3 mm. LCL Tungsten Halogen Lamps) - M.O stirrup with $\Phi$ 10 mm. hole - sliding focus mechanism with fixing knob - without accessories.
<b>SUGGESTED LAMPS G22 - 63,5 mm.LCL</b>		<b>SUGGESTED LAMPS GX9,5 - 55 mm.LCL</b>		<b>SUGGESTED LAMPS HPL - 60,3 mm.LCL</b>	
6995 Z	<b>LAMP</b> 1.000W Tungsten-Halogen Bipost, G22, 230V, 3200°K, 240 Hours, 63,5 mm. L.C.L.	6996 P	<b>LAMP</b> 1.000 W Tungsten-Halogen Bipost, GX9,5, 230V, 3050°K, 900 Hours, 55 mm. L.C.L.	HPL 750	<b>LAMP</b> 750W Tungsten-Halogen Bipost, 2pin, 230V, 3200°K, 300 Hours, 60,3 mm. L.C.L.
6995 Z (EGT)	<b>LAMP</b> 1.000W Tungsten-Halogen Bipost, G22, 120V, 3200°K, 240 Hours, 63,5 mm. L.C.L.	6995 P	<b>LAMP</b> 1.000 W Tungsten-Halogen Bipost, GX9,5, 230V, 3050°K, 240 Hours, 55 mm. L.C.L.	93729	<b>LAMP</b> 750W Tungsten-Halogen Bipost, 2pin, 230V, 3200°K, 300 Hours, 60,3 mm. L.C.L.
64.747	<b>LAMP</b> 1.000W Tungsten-Halogen Bipost, G22, 230V, 3200°K, 200 Hours, 63,5 mm. L.C.L.	64.745	<b>LAMP</b> 1.000 W Tungsten-Halogen Bipost, GX9,5, 230V, 3200°K, 200 Hours, 55 mm. L.C.L.	HPL 575	<b>LAMP</b> 575W Tungsten-Halogen Bipost, 2pin, 230V, 3200°K, 300 Hours, 60,3 mm. L.C.L.
64.754	<b>LAMP</b> 1.200 W Tungsten-Halogen Bipost, G22, 230V, 3200°K, 200 Hours, 63,5 mm. L.C.L.	64.744	<b>LAMP</b> 1.000 W Tungsten-Halogen Bipost, GX9,5, 230V, 3200°K, 750 Hours, 55 mm. L.C.L.	HPL 575 Long Life	<b>LAMP</b> 575W Tungsten-Halogen Bipost, 2pin, 230V, 1500 Hours, 60,3 mm. L.C.L.
6993 Z	<b>LAMP</b> 650W Tungsten-Halogen Bipost, G22, 230V, 3200°K, 120 Hours, 63,5 mm. L.C.L.	6998 P	<b>LAMP</b> 650W Tungsten-Halogen Bipost, GX9,5, 230V, 3000°K, 900 Hours, 55 mm. L.C.L.	93728	<b>LAMP</b> 575W Tungsten-Halogen Bipost, 2pin, 230V, 3200°K, 300 Hours, 60,3 mm. L.C.L.
64.721	<b>LAMP</b> 650W Tungsten-Halogen Bipost, G22, 230V, 3200°K, 100 Hours, 63,5 mm. L.C.L.	64.719	<b>LAMP</b> 650W Tungsten-Halogen Bipost, GX9,5, 230V, 3000°K, 750 Hours, 55 mm. L.C.L.		
		6993 P	<b>LAMP</b> 650W Tungsten-Halogen Bipost, GX9,5, 230V, 3200°K, 120 Hours, 55 mm. L.C.L.		
		64.720	<b>LAMP</b> 650W Tungsten-Halogen Bipost, GX9,5, 230V, 3200°K, 100 Hours, 55 mm. L.C.L.		

## ACCESSORIES



### MOD.

### OPTIONAL & ACCESSORIES

315.300	Stainless Steel wire guard
316.100	Four leaf rotating barndoor
316.200	Eight way rotating barndoor
317.100	Colour frame
318.100	Cone with two discs (with front aperture diameter: 105 mm. 80 mm. 55 mm.)
319.100	Set of scrims - Stainless steel
319.101	Full single scrim - Stainless steel
319.102	Full double scrim - Stainless steel
319.103	1/2 single scrim - Stainless steel
319.104	1/2 double scrim - Stainless steel
319.250	180° Bottom Light spill protection