



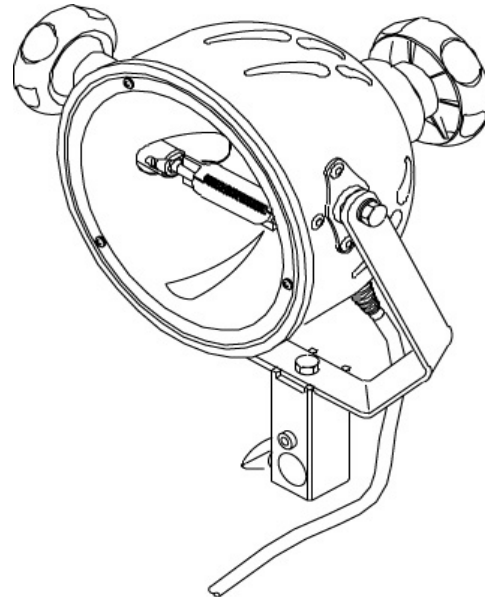
Cosmobeam® 650w Focusable Open Face

RC80 Series

SPECIFICATIONS

Quartz Halogen Focusing Open Face Floodlight

PHYSICAL	Strong & lightweight, pressed aluminum construction Focusable open face fixture Lamphouse is high temperature finished Highly suitable for portable kits Flat aluminum yoke with standard 5/8" receiver Available with Chimera light bank UL Listed
ELECTRICAL	120-230V, 50/60Hz 16/3 SO 90° type cable Twelve foot (12') standard UL lead with 10 amp in-line on/off toggle switch protected by impact resistant cover Supplied with molded u-ground connector
LAMP	650w Maximum R7s socket for linear double ended Tungsten-halogen lamps (see table for suitable lamps)
OPTICAL/ FOCUS MECHANISM	Specially designed reflector is made of polished aluminum to ensure a high degree of reflectivity Extremely smooth focusing mechanism allows for a particularly even illumination and excellent power throughout all of the working positions Focusable from the rear



ORDERING INFORMATION

Cosmobeam 650w

Model #	Description	Wt.
RC80F/A	Focusable open face, supplied with yoke, 12' UL cable with 10 amp in-line on/off toggle switch with molded u-ground connector installed	3.3

Cosmobeam 650w Accessories

Model #	Description	Wt.
RC101	Accessory Holder	1.0
RC103	Four leaf barndoor	1.0
RC103/R	Four leaf barndoor with stainless steel wireguard	1.1
RC103/CR	Four leaf barndoor with stainless steel wireguard & filter clips holder	1.1
RC104	Dichroic filter	n/a
RC105	Safety glass	n/a
RC105A	Diffuser glass	n/a
MX63	Four piece stainless steel scrim set	0.4
8031	Scrim bag	0.2
91.303	Mini aluminum c-clamp	0.4
RC4170	Gaffer grip with (5/8") spigot	1.1
DGP-A620B	Aluminum black stand w/ 5/8" spigot	2.0
9560	Speed Ring for RC50-80-100F/A	n/a
8124	Video Pro Bank—Small	n/a

Cosmobeam® 650w Focusable Open Face

RC80 Series

PHOTOMETRICS

TYPICAL DISTANCES		5'	10'	15'	20'
LIGHT CENTER VALUES	Candle Power	FOOTCANDLES			
SPOT	35,190	1,408	352	156	88
FLOOD	7,020	281	70	31	18
<i>Values measured with 650w lamp—120V</i>					
F.C. at any distance = CANDLE POWER: [Distance (in ft)]²					
BEAM ANGLE (50% of center value)		BEAM DIAMETER in feet			
SPOT	22.5°	2'	4'	6'	8'
FLOOD	52.5°	4.9'	9.9'	14.8'	17.7'

For illumination with any lamp, multiply the candlepower of a beam spread by the multiplying factor (mf) shown for that lamp.

To determine illumination in footcandles or lux at any throw distance, divide candlepower by distance squared.

For field diameter at any distance, multiply distance by .12

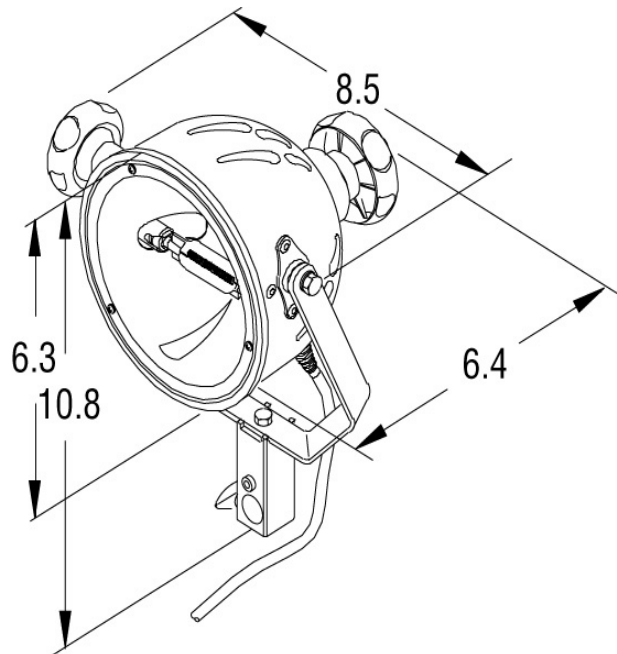
For beam diameter at any distance, multiply distance by .11

Metric Conversions: For Meters multiply feet by .3048
For Lux multiply footcandles by 10.76

LAMPING INFORMATION

Lamp Code	Watts	Volts	Color Temp	Avg. Rated Life
EHP	300	120	3000K	2500
DWZ	375	120	2950K	1500
FDA	400	120	3200K	250
FCB	600	120	3200K	75
FAD	650	120	3200K	100
DWY	650	120	3400K	25

DIMENSIONS (inches)



DE SISTI LIGHTING
 dba Desmar Corporation
 1109 Grand Avenue
 North Bergen, NJ 07047
 201-319-1100
 201-319-1104 Fax
www.desisti.it