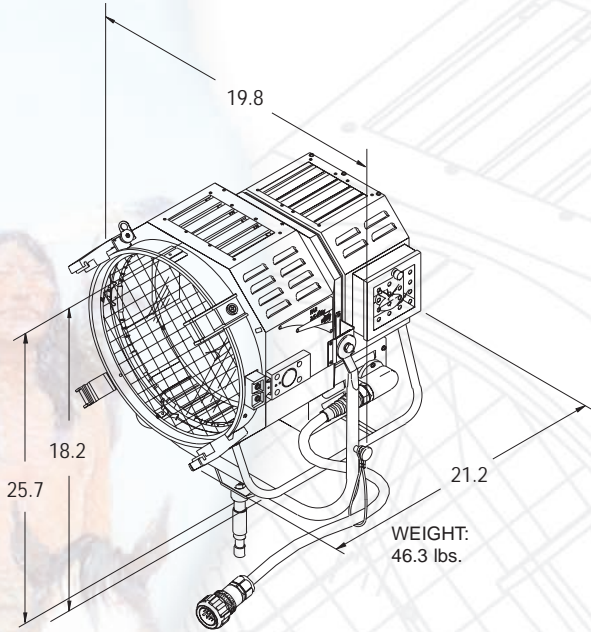


REMINGTON 2.5/4kW



Mod. 2340

PHOTOMETRIC DATA REMINGTON 2.5/4kW							
Values measured with: MSR 2.500 HR and MSR 4.000 HR							
FEET							
		TYPICAL DISTANCES		20'	40'	60'	80'
LIGHT CENTER VALUES		Candle Power		FOOTCANDLES			
No Lens	4 kW	8,500,000	21,222	5,306	2,358	1,327	
	2.5 kW	7,100,000	17,727	4,432	1,970	1,109	
VNSP Clear	4 kW	2,250,000	5,618	1,404	624	351	
	2.5 kW	1,500,000	3,745	936	416	234	
NSP Frosted	4 kW	1,750,000	4,369	1092	485	273	
	2.5 kW	1,200,000	2,996	749	333	187	
MF Rect. Pr.	4 kW	710,000	1,773	443	197	111	
	2.5 kW	430,000	1,074	268	119	67	
EWF Square Dimples	4 kW	500,000	1,248	312	139	78	
	2.5 kW	320,000	799	200	89	50	
Frosted Fresnel	4 kW	155,000	387	97	43	24	
	2.5 kW	110,000	275	69	31	17	

F.C. at any distance = CANDLE POWER : [Distance (in ft)]²

BEAM ANGLE (50% OF CENTER VALUE)		BEAM SIZE (W x H in feet)				
No Lens	6°	2.1'	4.2'	6.3'	8.4'	
VNSP Clear	15°	5.3'	10.5'	15.8'	21.1'	
NSP Frosted	26°x12°	9.2'x4.2'	18.5'x8.4'	27.7'x12.6'	36.9'x16.8'	
MF Rect. Pr.	50°x22°	18.7'x7.8'	37.3'x15.6'	56'x23.3'	74.6'x31.1'	
EWF Square Dimples	27°	9.6'	19.2'	28.8'	38.4'	
Frosted Fresnel	42°	15.4'	30.7'	46.1'	61.4'	

Mod. 397.100 (+Mod. 397.110)
23.6"x19.8"
3.5 lbs.

Mod. 359.100
Dia. 15.5"
1.1 lbs.

Mod. 357.100
Dia. 15.3"
1.1 lbs.

Mod. 356.210
Dia. 15.7"
4.2 lbs.

Mod. 356.110
Dia. 15.7"
3.8 lbs.

Mod. 358.100
Dia. 15.7"
7.1 lbs.

Mod. 2348.100+
Mod. 2345.200
20.3 lbs.

Extension Cables
25' Mod. 2431.100 7.3 lbs.
50' Mod. 2431.200 14.6 lbs.

Adapter for 2.5 kW
Magnetic Ballast
1.5' Mod. 2341.100 1.3 lbs.



Mod. 2535

