



Remington® 6000/12000w HMI PAR

2370 Series

SPECIFICATIONS

Compact HMI Open Face PAR

PHYSICAL

- Lightweight & rugged stainless steel construction
- Double wall & internal baffles for efficient ventilation
- Finished with a silver gray, high temperature, anti-scratch powder coat paint
- Supplied with stainless steel wireguard & UV safety glass
- Supplied with a cool grip rear handle
- Can be fired locally from the head or remotely from the ballast or via DMX
- Hinged lens door with quick release latch and pivoting ear for easy loading of five different drop-in lenses without removing barndoor or other front-mounted accessories
- Top hinged grid for easy lamp replacement
- Digital non-resetting universal hour counter assembled to the side of the igniter box
- Heavy duty tubular skid
- Reinforced steel tube yoke with 1" male spigot attached for C-clamp and side mounted cable holding loop
- Clutch activated T-handle for secure, single hand operation
- UL Listed

ELECTRICAL

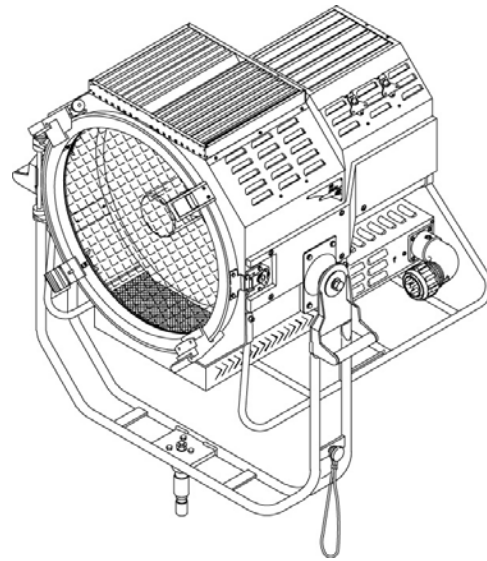
- 115-240V, 50/60Hz
- 25' head to ballast cable extension
- Silent high voltage igniter to operate from electronic or magnetic ballasts
- Weatherproof on/off push buttons
- IP23 rain tested
- Cut-off micro-switches located on UV safety glass, lens door and lamp lock

LAMP

- 12000w Maximum
- High voltage insulated G38 bi-pin socket for single ended HMI lamps (see table for suitable lamps)
- Capable of interchanging a 6000 or 12000w lamp
- Capable of hot re-strike
- Collar clamping holds lamp firmly without stressing the electrical contacts

OPTICAL/ FOCUS MECHANISM

- Special bi-metallic clad aluminum reflector for high degree of reflectivity and thermal resistance for long life
- Beam intensity controlled by a rear focus knob
- Drop-in lenses include: Narrow spot, medium flood, wide flood, extra wide flood and frosted fresnel



ORDERING INFORMATION

Remington 6000/12000w

Model #	Description	Wt.
2370	HMI PAR supplied with tubular steel yoke with 1" spigot	100.9
2370.600/S	System supplied with 25' head to ballast cable & connector, tubular steel yoke with 1" spigot, four leaf barndoor, set of 5 lenses, fly case for lenses, DEB 6/12kW dual flicker free electronic ballast & fly case for DEB 6/12kW dual ballast	278.5
2370.610/S/L	System supplied with 25' head to ballast cable & connector, tubular steel yoke with 1" spigot, four leaf barndoor, set of 5 lenses, fly case for lenses, DEB 6/12kW dual flicker free electronic ballast and 12000w MSR lamp	280.5
2370.690/K/H/L	Kit supplied with 25' head to ballast cable & connector, tubular steel yoke with 1" spigot, four leaf barndoor, four piece scrim set, 12000w MSR lamp and fly case for complete kit—no ballast or lenses	n/a

Remington 6000/12000w Accessories

Model #	Description	Wt.
2555.100	DEB 6000/12000w dual flicker free electronic ballast 185/265v, 50/60Hz, low noise and 35% dimming capability, with 6' detachable main cable (MIL connector)	99.3
496.100	Four leaf rotating barndoor	9.9
497.100	Colorframe	2.0
499.100	Four piece stainless steel scrim set	4.4
2375.200	Set of 5 lenses with ring & handle including: Narrow spot, medium flood, wide flood, extra wide flood & frosted fresnel	32.8
2378.100	Fly case for 5 piece lens set	8.0
2378.180	Fly case for 2370.690/K/H/L Kit	n/a
2555.601	Fly case for dual DEB 6000/12000w ballast	n/a
2451.100	Cable Head to Ballast 12000w, 25'	25.6
2451.200	Cable Head to Ballast 12000w, 50'	51.7
DGP-B250X	Super wind-up stainless steel stand with braked hard wheels	n/a

Remington® 6000/12000w HMI PAR

2370 Series

PHOTOMETRICS

TYPICAL DISTANCES		25'	50'	75'	100'	
LIGHT CENTER VALUES	Candle Power	FOOTCANDLES				
No Lens	12000w	14,850,000	23,698	5,940	2,640	1,485
	6000w	11,250,000	17,953	4,500	2,000	1,125
NSP Frosted	12000w	10,053,000	16,043	4,021	1,787	1,005
	6000w	7,537,500	12,028	3,015	1,340	754
MF Rect. Prism	12000w	4,414,500	7,045	1,766	785	441
	6000w	2,837,250	4,528	1,135	504	284
WF Dimples	12000w	1,536,075	2,451	614	273	154
	6000w	945,000	1,508	378	168	95
XWF Sq.Dimple	12000w	824,625	1,316	330	147	82
	6000w	504,000	804	202	90	50
Frosted Fresnel	12000w	280,350	447	112	50	28
	6000w	155,250	248	62	28	16

Values measured with MSR 6000 & 12000HR Lamps

F.C. at any distance = CANDLE POWER: [Distance (in ft)]²

BEAM ANGLE (50% of center value)		BEAM SIZE (W x H in feet)			
No Lens	7.5°	3.3'	6.6'	9.8'	13.1'
NSP Frosted	7.5°	3.3'	6.6'	9.8'	13.1'
MF Rectangular Prism	15° x 9°	6.6' x 3.9'	13.2' x 7.9'	19.7' x 11.8'	26.3' x 15.7'
WF Dimples	30° x 15°	13.4' x 6.6'	26.8' x 13.2'	40.2' x 19.7'	53.6' x 26.3'
XWF Square Dimples	34.5°	15.5'	31.1'	46.6'	62.1'
Frosted Fresnel	30°	13.4'	26.8'	40.2'	53.6'

For illumination with any lamp, multiply the candlepower of a beam spread by the multiplying factor (mf) shown for that lamp.

To determine illumination in footcandles or lux at any throw distance, divide candlepower by distance squared.

For field diameter at any distance, multiply distance by .12

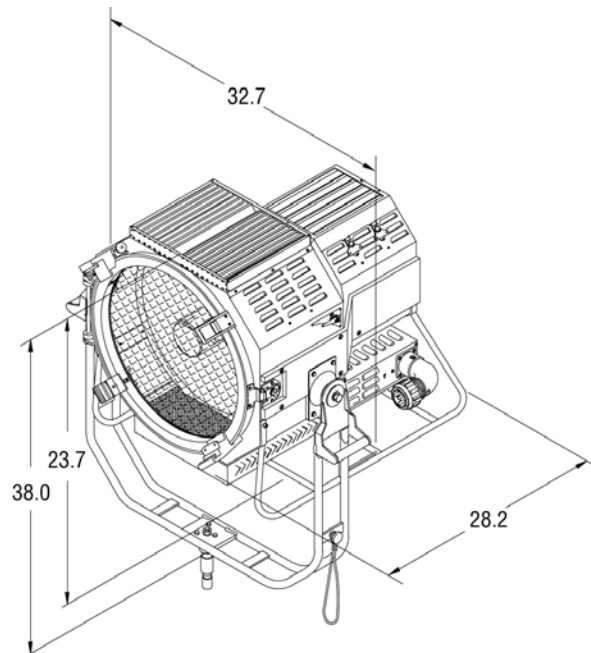
For beam diameter at any distance, multiply distance by .11

Metric Conversions: For Meters multiply feet by .3048
For Lux multiply footcandles by 10.76

LAMPING INFORMATION

Lamp Code	Watts	Volts	Color Temp	Avg. Rated Life
6000MSR	6000	230v	5600K	750
12000MSR	12000	230v	5600K	750

DIMENSIONS (inches)



DE SISTI LIGHTING
 dba Desmar Corporation
 1109 Grand Avenue
 North Bergen, NJ 07047
 201-319-1100
 201-319-1104 Fax
www.desisti.it