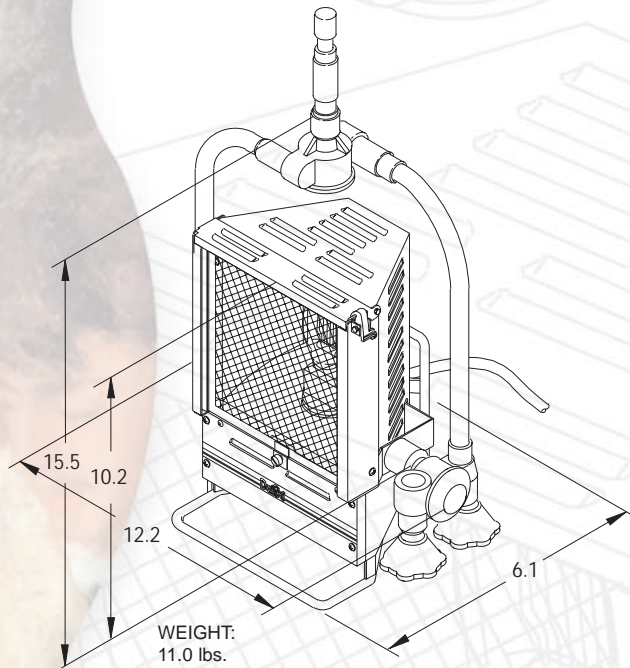
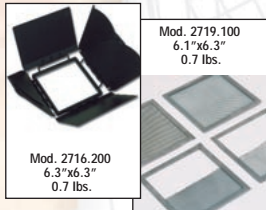


RENOIR 300/500/650 W



Mod. 3161



PHOTOMETRIC DATA RENOIR 300/500/650 W					
Values measured with CP 81 (300W), CP 82 (500W), CP 89 (650W) Lamps					
TYPICAL DISTANCES IN FEET					
LIGHT CENTER VALUES	Candle Power	10'	15'	20'	25'
650W	3,735	37	17	9	6
500W	2,646	26	12	7	4
300W	1,575	16	7	4	3
F.C. at any distance = CANDLE POWER : [Distance (in ft)] ²					
BEAM ANGLE (50% OF CENTER VALUE)		BEAM SIZE (W x H in feet)			
WIDTH	90°	20'	30'	40'	50'
HEIGHT	92°	20.7'	31.1'	41.4'	51.8'



Mod. 3160

