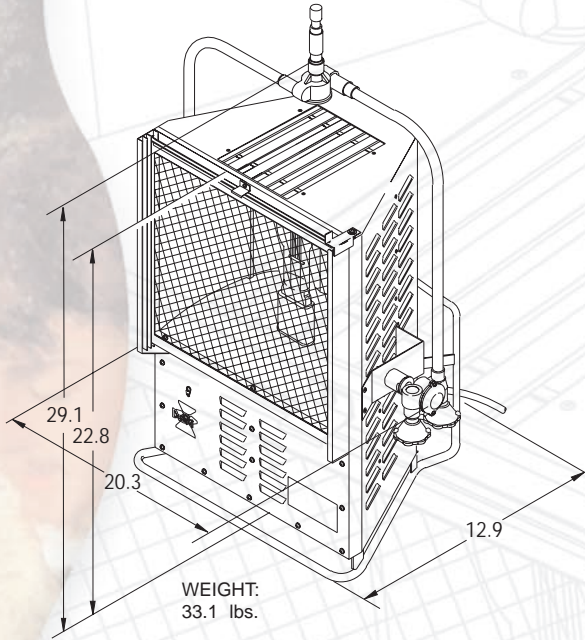
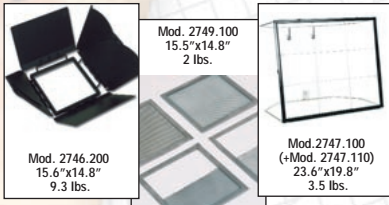


RENOIR 5kW



Mod. 3141



PHOTOMETRIC DATA RENOIR 5000W

Values measured with: CP 85 Lamp

	FEET				
	30'	40'	50'	60'	
TYPICAL DISTANCES					
	Candle Power		FOOTCANDLES		
LIGHT CENTER VALUES	56,250	63	35	23	16
F.C. at any distance = CANDLE POWER : [Distance (in ft)] ²					
BEAM ANGLE (50% OF CENTER VALUE)		BEAM SIZE (W x H in feet)			
WIDTH	80°	50.3'	67.1'	83.9'	100.7'
HEIGHT	89°	59'	78.6'	98.3'	117.9'



Mod. 3140

