



SDX08

8 SD-SDI to 1 SD-SDI switcher

A Synapse® product

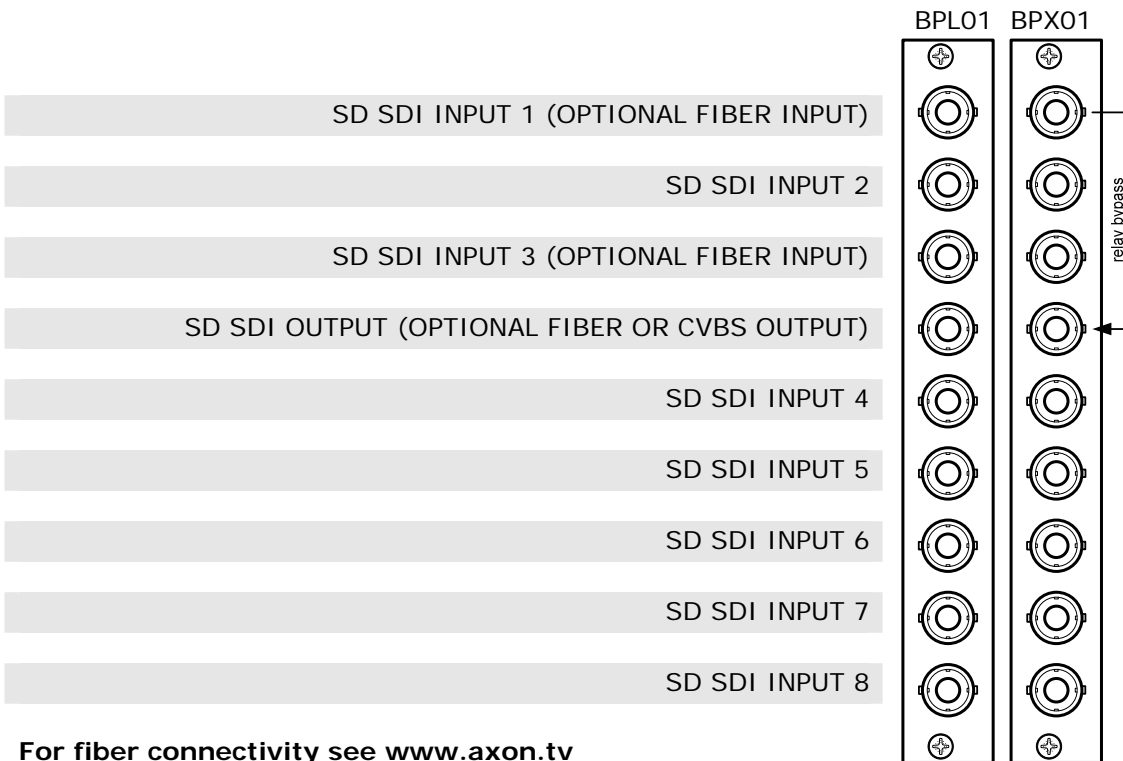
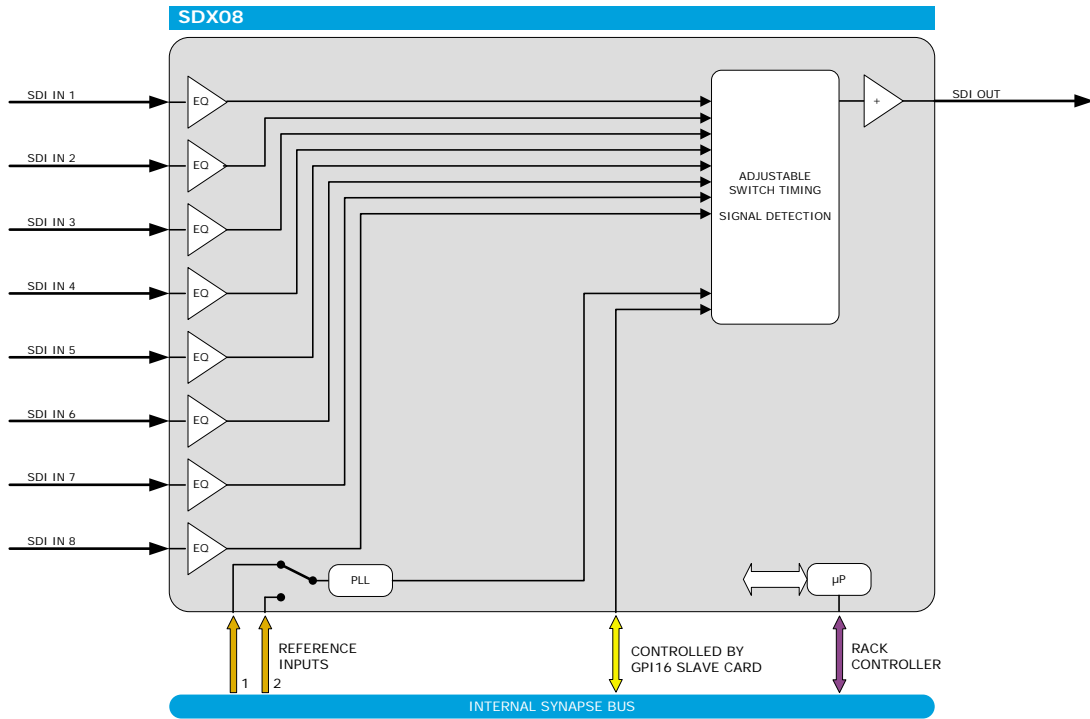
Synapse

COPYRIGHT ©2008 AXON DIGITAL DESIGN BV

ALL RIGHTS RESERVED

NO PART OF THIS DOCUMENT MAY BE REPRODUCED IN ANY FORM
WITHOUT THE PERMISSION OF AXON DIGITAL DESIGN BV.

Block schematic & I/O panel



For fiber connectivity see www.axon.tv

Features

The SDX08 is an 8 channel SDI video switcher. The SDX08 routes 1 of 8 SDI-inputs to 1 SDI-output. The SDX08 has 2 main functions, it can act as a backup-switcher and as a router.

- Automatic backup function on all channels
- Switch back function in back-up mode
- Can be controlled by a dedicated GPI16 card (with tally back response)
- Free selection of line and sample for switching.
- EDH detection
- Reclocked output
- Full control and status monitoring through the front panel of the SFR04/18 frame and the Ethernet port (ACP)
- Optional 1 or 2 fiber inputs (replacing 1 or 2 SDI inputs) on I/O panel
- Optional 1 CVBS output (replacing 1 SDI output) on I/O panel

Applications

- Generic or monitoring 8 by 1 switch
- Back-up switcher
- Small routing applications

Ordering information

Module:

- **SDX08:** 8 SD to 1 SD switcher

Standard I/O:

- **BPL01_SD08:** I/O panel for SDX08
- **BPX01_SD08:** I/O panel for SDX08 with relay bypass

Fiber outputs:

- **BPL01T_FC/PC_SD08:** I/O panel for SDX08 with 1 fiber transmitter on FC/PC
- **BPL01T_SC_SD08:** I/O panel for SDX08 with fiber 1 transmitter on SC

Fiber inputs:

- **BPL01R2_FC/PC_SD08:** I/O panel for SDX08 with 2 fiber receivers on FC/PC
- **BPL01R2_SC_SD08:** I/O panel for SDX08 with 2 fiber receivers on SC
- **BPL01R_FC/PC_SD08:** I/O panel for SDX08 1 with fiber receiver on FC/PC
- **BPL01R_SC_SD08:** I/O panel for SDX08 with 1 fiber receiver on SC

CVBS output:

- **BPL01C_SD08:** I/O panel for SDX08 with CVBS output

Specifications

Serial Video Input

Standard	625/50 or 525/59.94 SMPTE 259M-C (270Mb/s) with SMPTE 272M embedded audio
Number of Inputs	8
Equalization	Automatic to 300m @ 270Mb/s with Belden 1694A or equivalent cable
Return Loss	> 15dB up to 270MHz

SD Serial Video Output

Standard	625/50 or 525/59.94 SMPTE 259M-C (270Mb/s) with SMPTE 272M embedded audio
Number of Outputs	1
Signal Level	800mV nominal
DC Offset	0V \pm 0.5V
Rise/Fall Time	800ps nominal
Overshoot	< 10% of amplitude
Return Loss	> 15dB up to 270MHz

Miscellaneous

Weight	Approx. 250g
Operating Temperature	0 °C to +50 °C
Dimensions	137 x 296 x 20 mm (HxWxD)

Electrical

Voltage	+24V to +30V
Power	<7 Watts