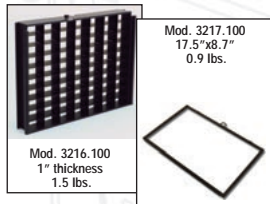
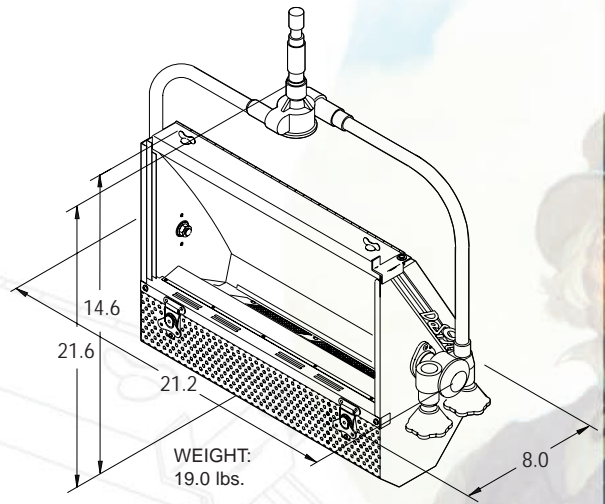
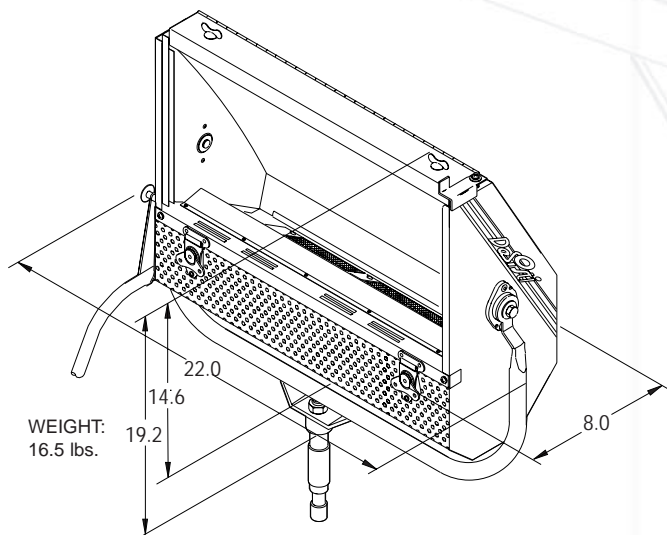




Mod. 3212



PHOTOMETRIC DATA WYETH 2000W					
Values measured with: P2/20 Lamps, 230V, Silver reflector					
FEET					
TYPICAL DISTANCES	10'	20'	30'	40'	
Candle Power			FOOTCANDLES		
LIGHT CENTER VALUES	10,906	109	27	12	7
F.C. at any distance = CANDLE POWER : [Distance (in ft)] <sup>2</sup>					
BEAM ANGLE (50% OF CENTER VALUE)			BEAM SIZE (W x H in feet)		
WIDTH	70°	14'	28'	42'	56'
HEIGHT	66°	13'	26'	39'	52'



Mod. 3210