

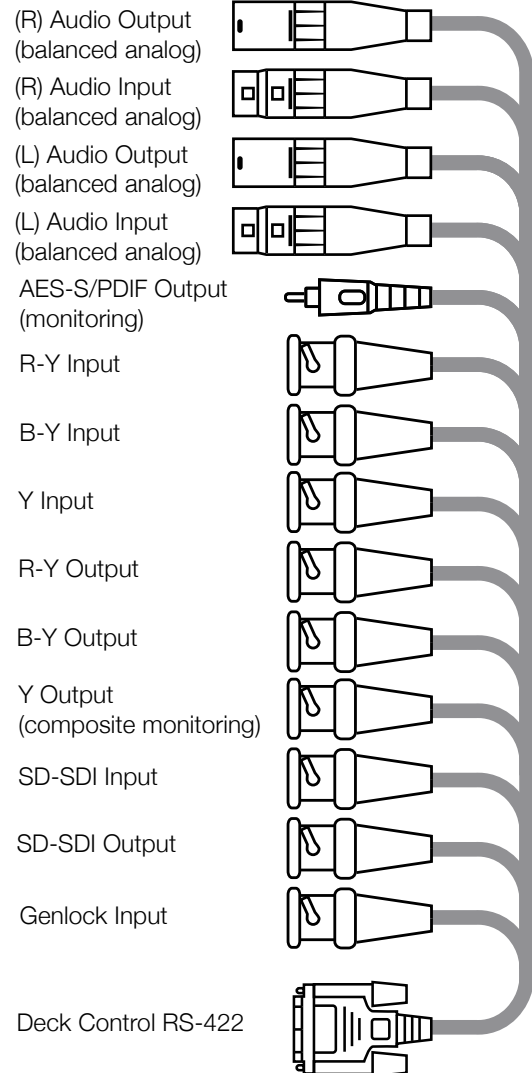
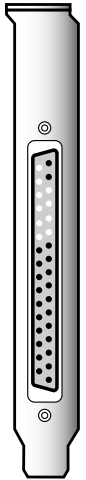
Connection Diagrams



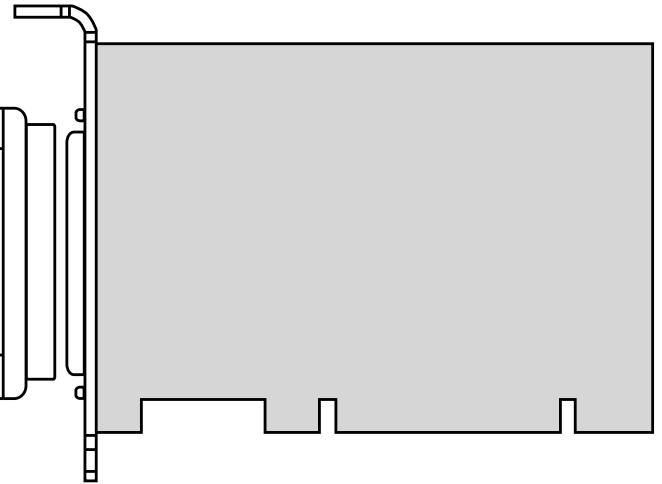
Windows XP™

DeckLink Extreme™

SD-SDI 4:2:2 and analog video, audio capture and playback card



DeckLink Extreme
7ft Breakout Cable



When you don't have genlock, you can output stable black so DeckLink Extreme locks the deck. This output is always stable and allows the deck to be set to input reference or auto reference. If you are using a digital deck, be sure to set the "Black Video Output to Deck in Capture" option to "On Digital SDI Outputs" in the DeckLink control panel, when using this feature. If you are using an analog deck, be sure to set the "Black Video Output to Deck in Capture" option to "On Analog Outputs".